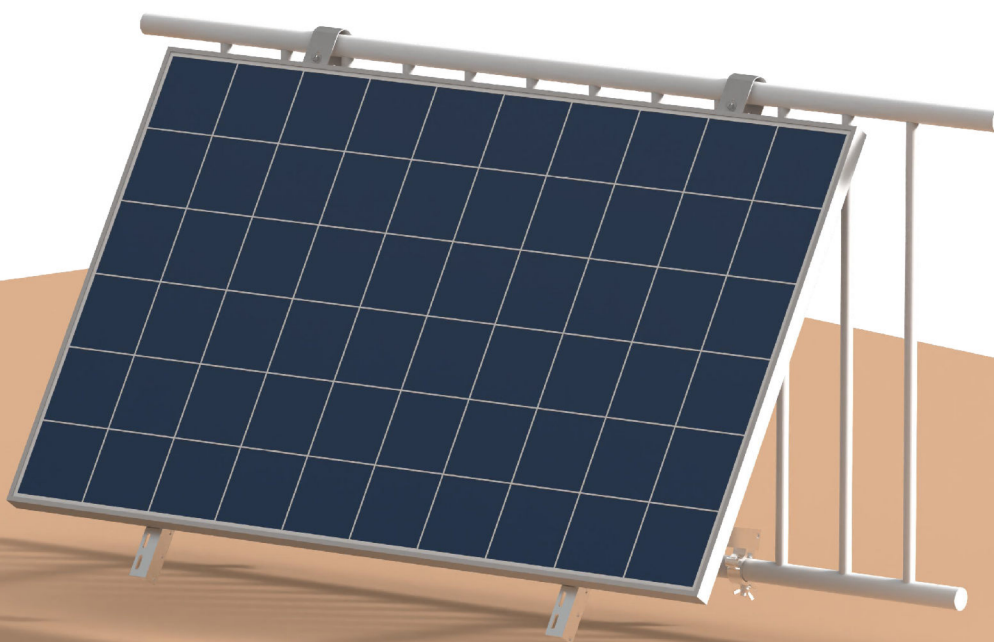


# Installation Manual

Solar balcony adjustable angle bracket system



# Components List:

J hook



x2

G Hook



x2

Long bolt and  
nutM8\*80



x2

Long bolt and  
nutM10\*30



x2

short bolt and nut  
M8\*25



x10

Short LAluminum  
brackets 545mm



x2

Long LAluminum bracket 1040mm

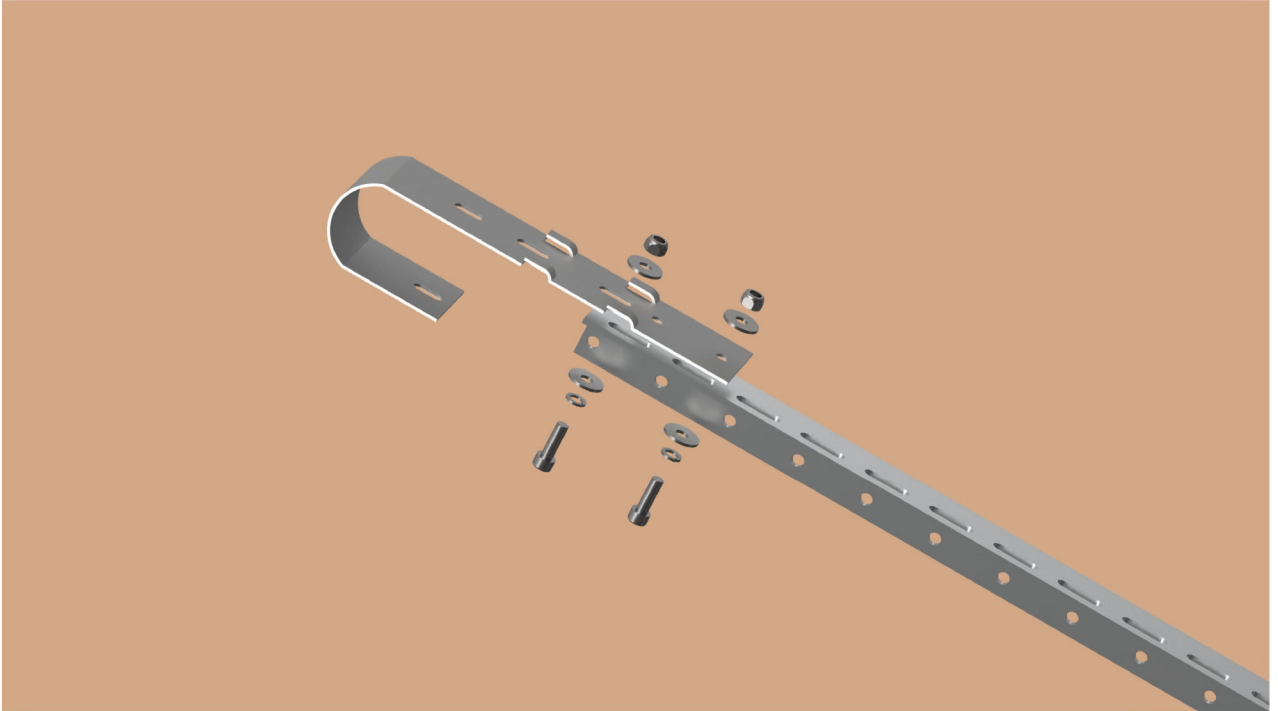


x2

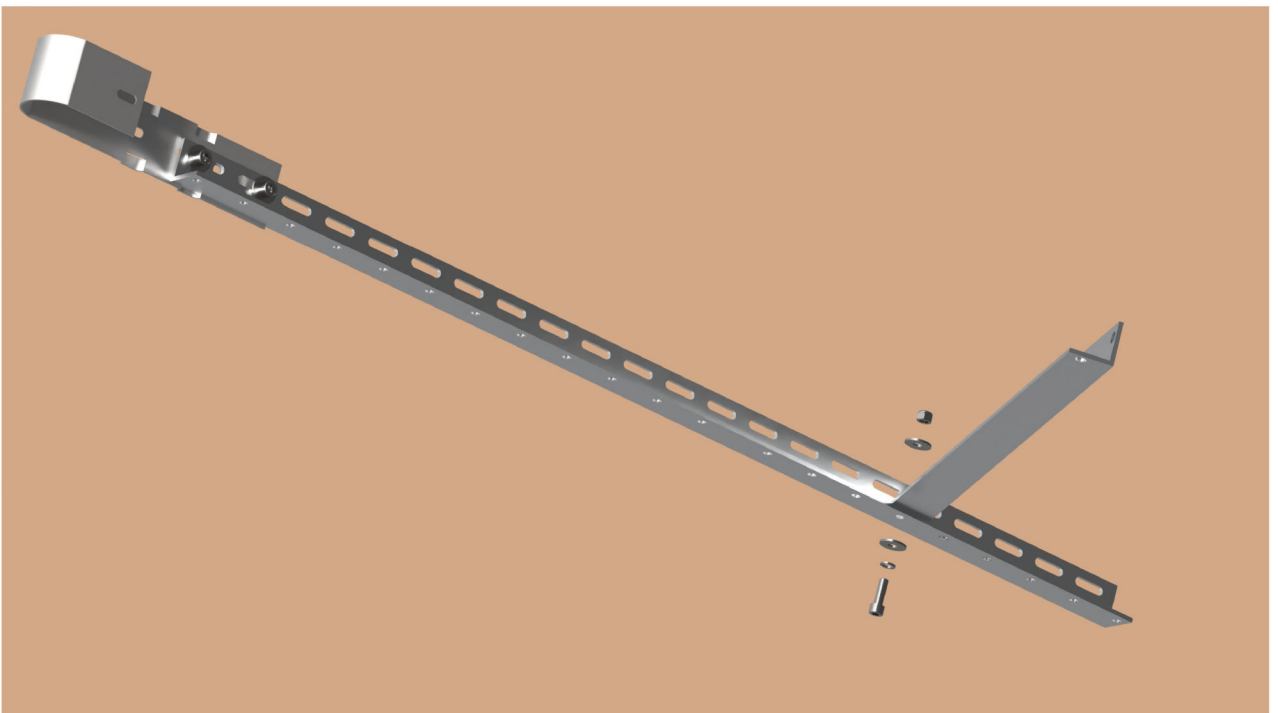
x2

## Installation Steps:

**Step1.** Use M8\*25 bolt, nut and washer to connect J hook and Long L Aluminum bracket 1040mm

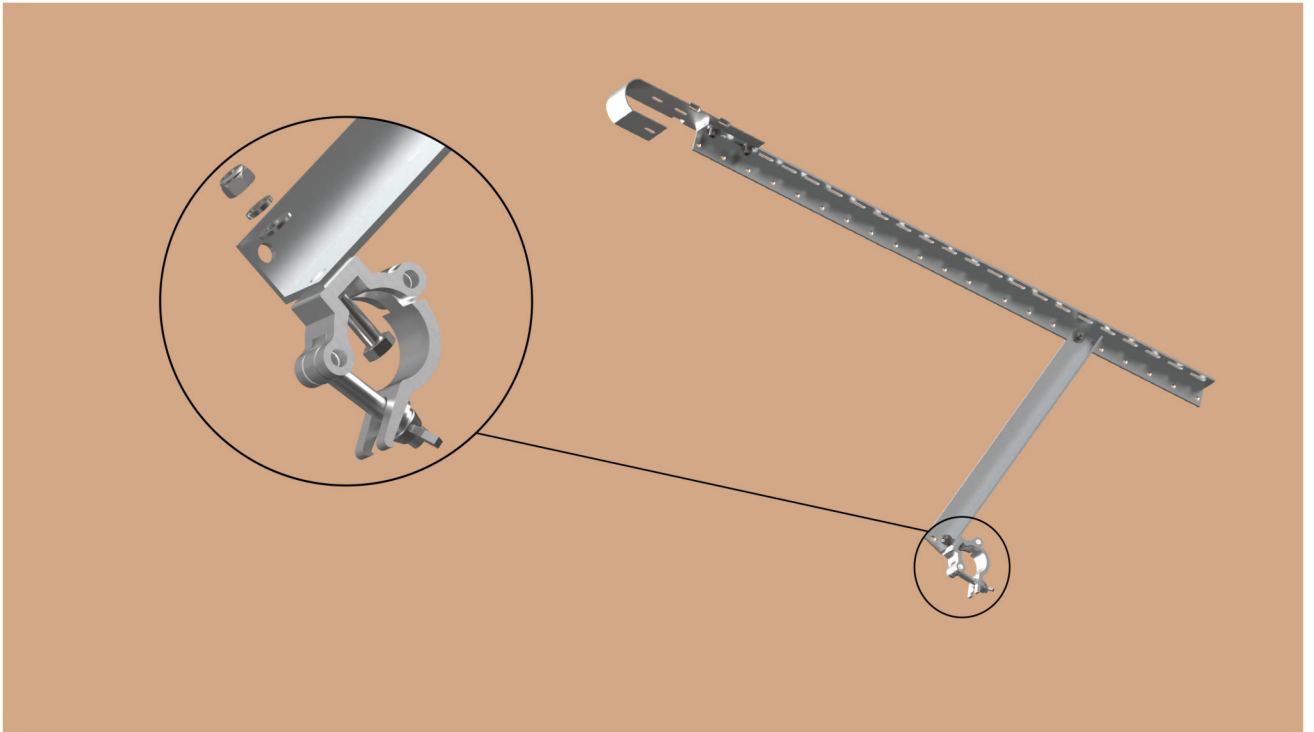


**Step2.** Use M8\*25 bolt, nut and washer to connect Short L Aluminum brackets 545mm and Long L Aluminum bracket 1040mm

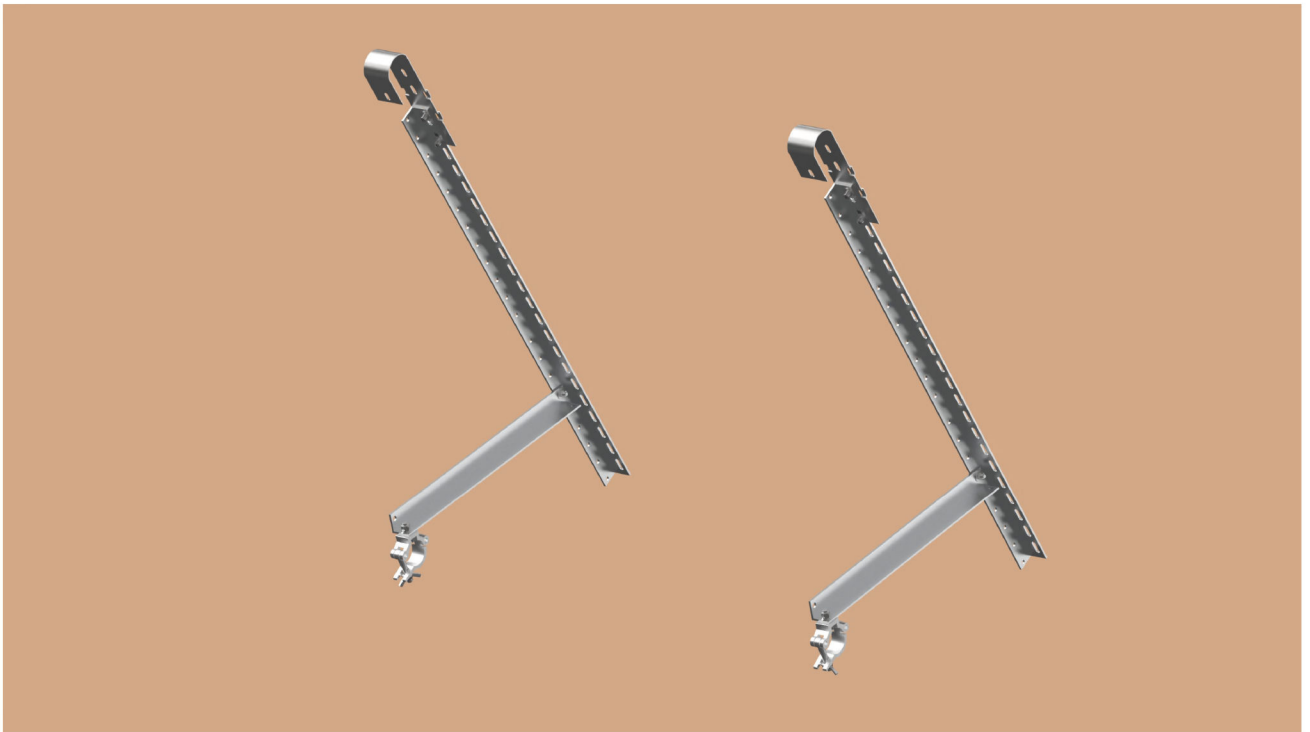


## Installation Steps:

**Step3.** Use M10\*30 bolt and nut to connect the Short L Aluminum brackets 545mm and G hook.

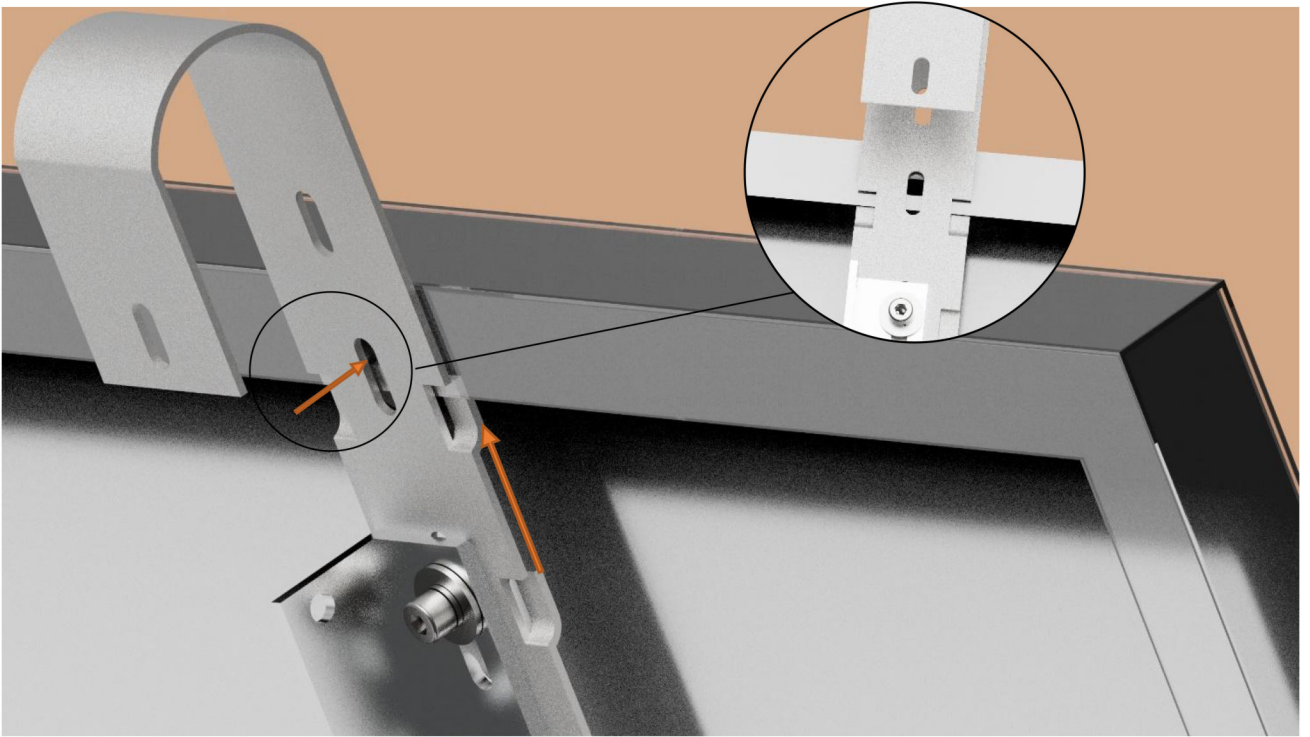


**Step4.** Repeat steps 1 to 3 to install the other bracket.

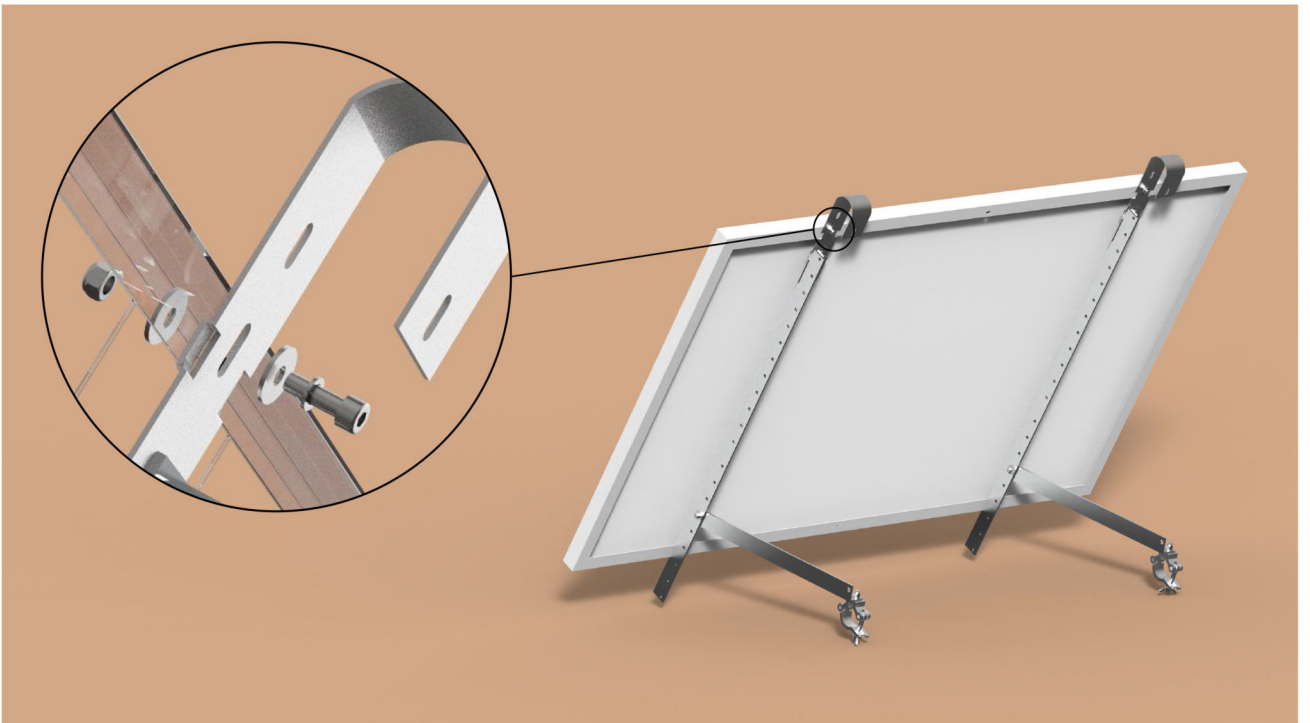


## Installation Steps:

**Step5.** Connect the J hook with solar panel.

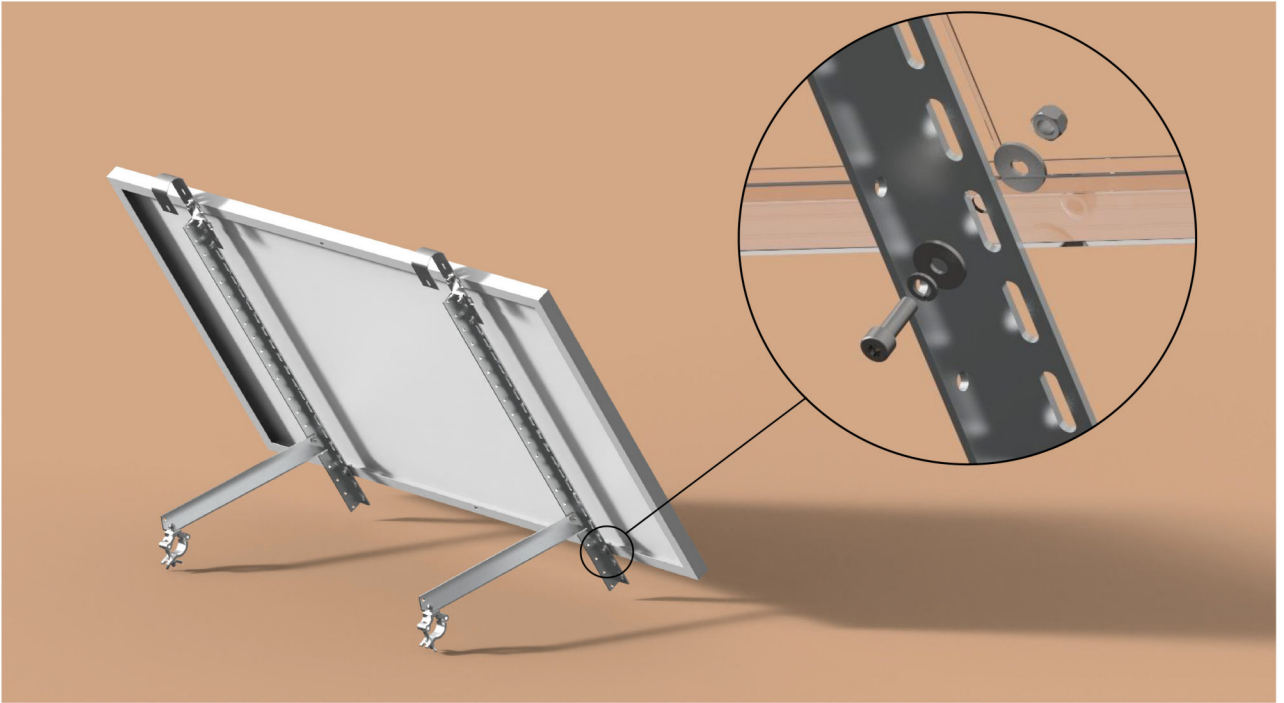


**Step6.** Use M8\*25 to connect the J hook and solar panel;



## Installation Steps:

**Step7.** Use M8\*25 to connect the Long L Aluminum bracket 1040mm and solar panel

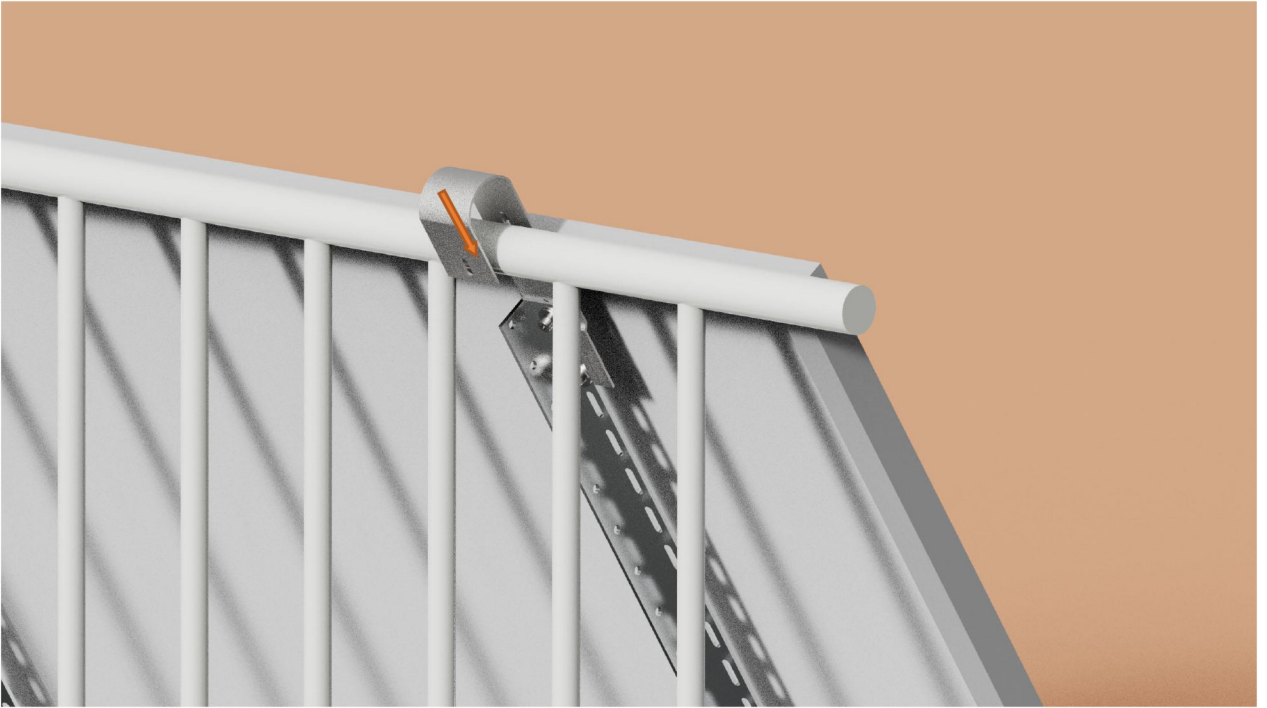


**Step8.** Repeat Step 5-Step 7, mount all the bracket on the solar panel.



## Installation Steps:

**Step9.** Install the J hook on the balcony rail

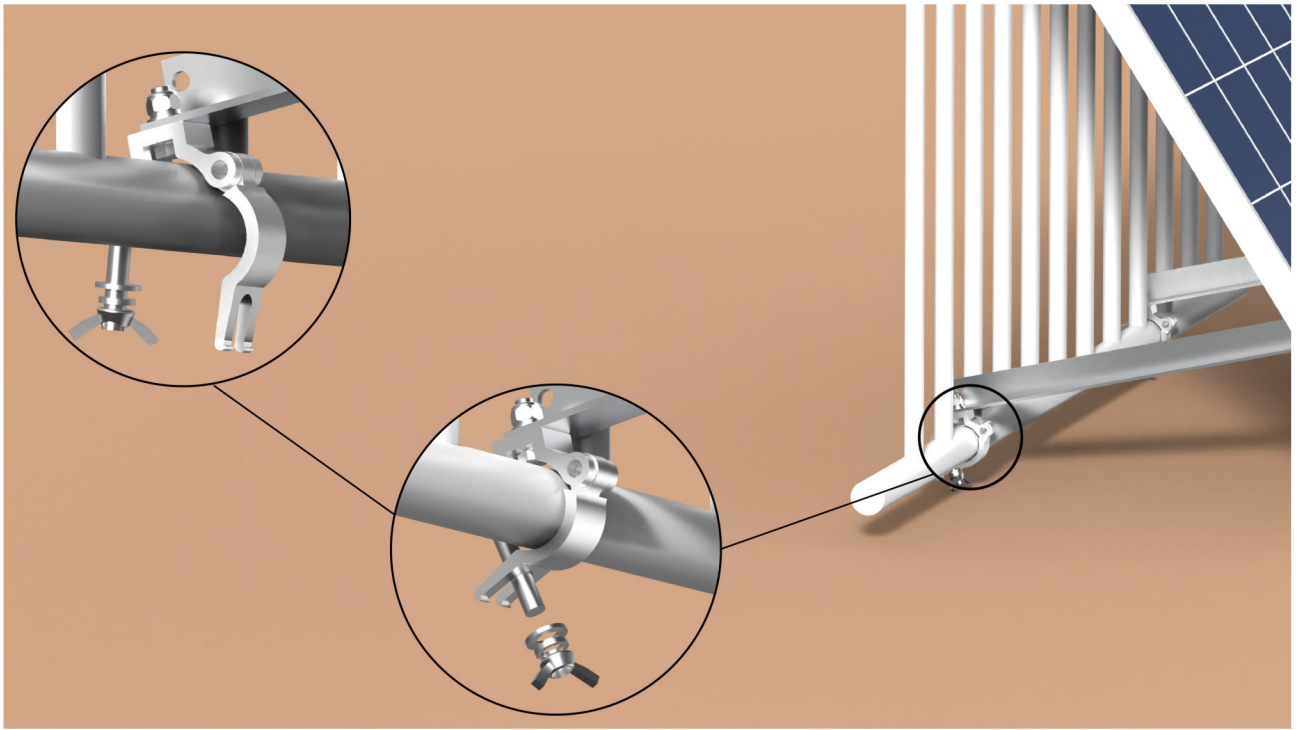


**Step10.** Use Long bolt and nutM8\*80 to connect the J hook and balcony rail.

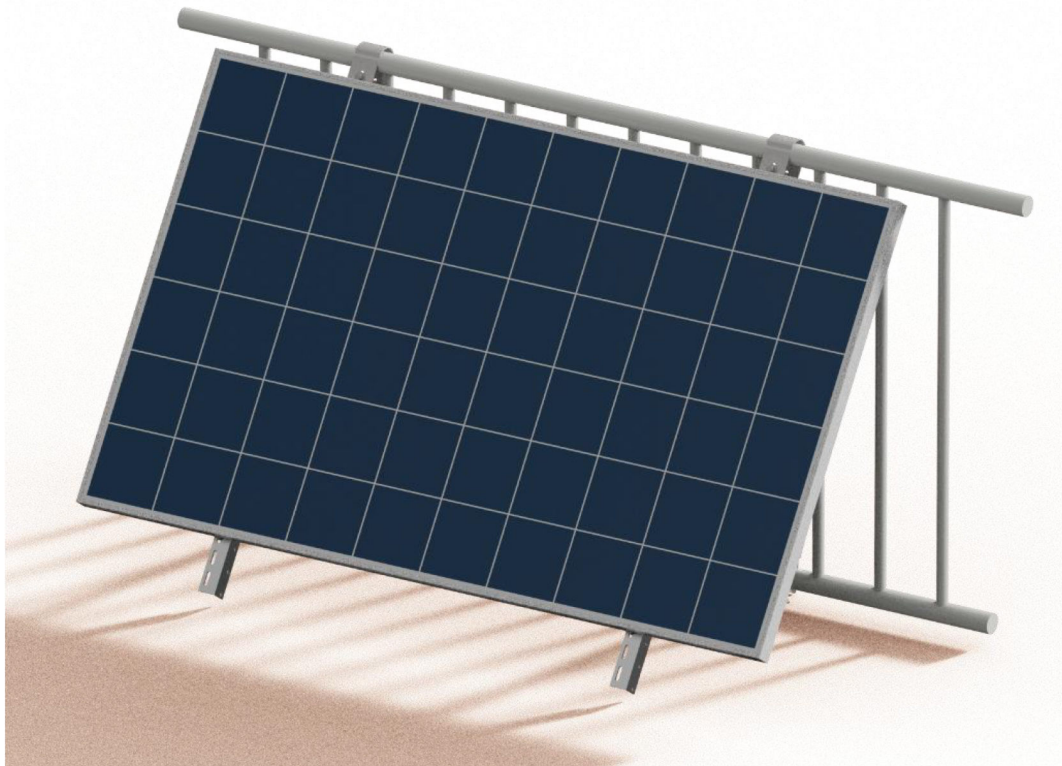


## Installation Steps:

**Step11.** Use G hook to connect the balcony rail and Short LAluminum brackets 545mm



**Finished**





# Installation Steps:

