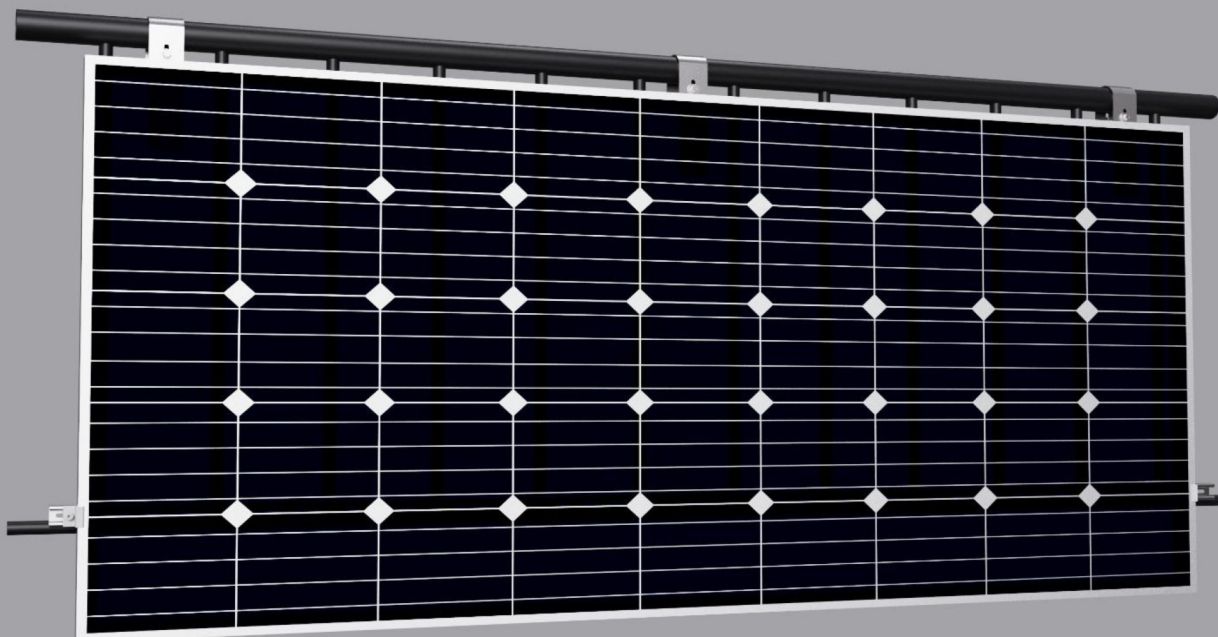


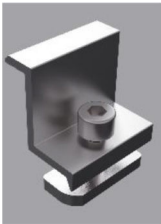



Balcony solar panel mounts

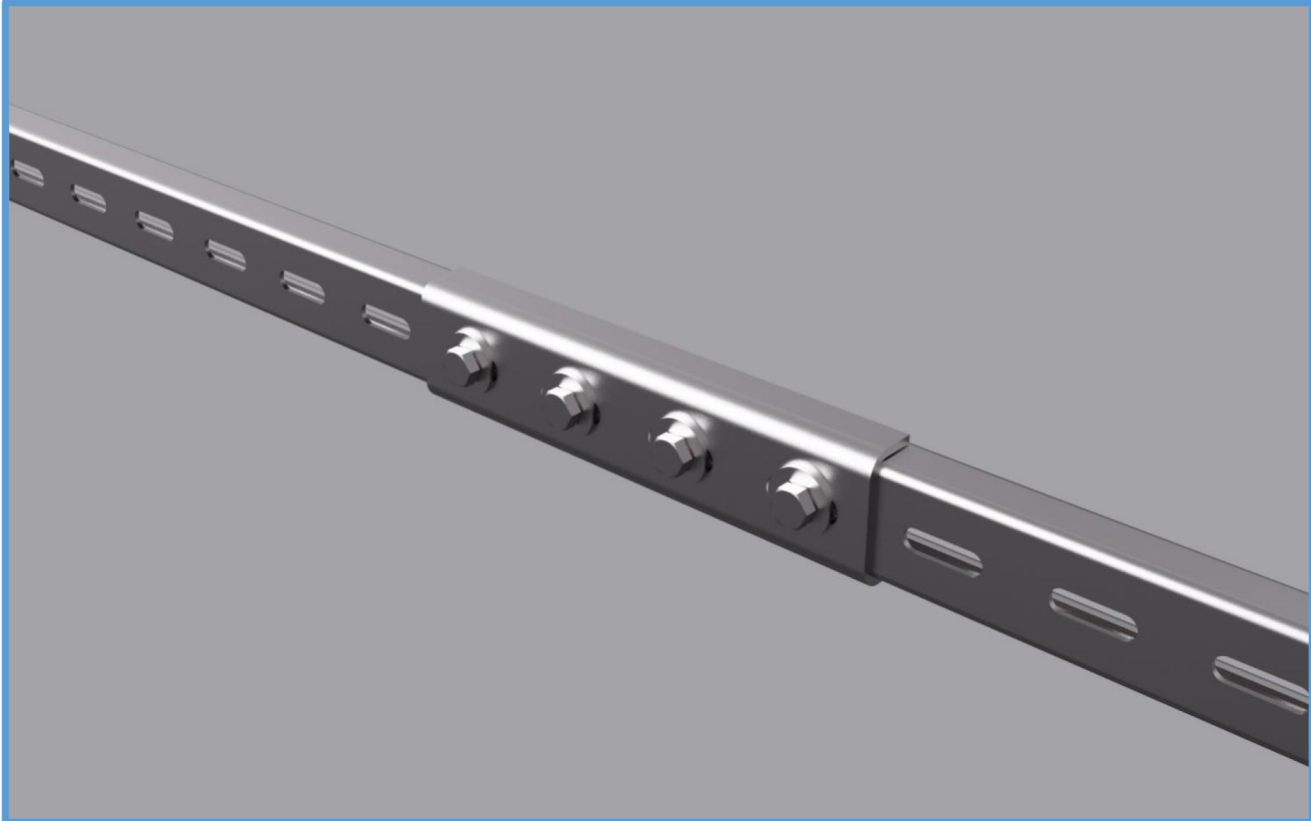
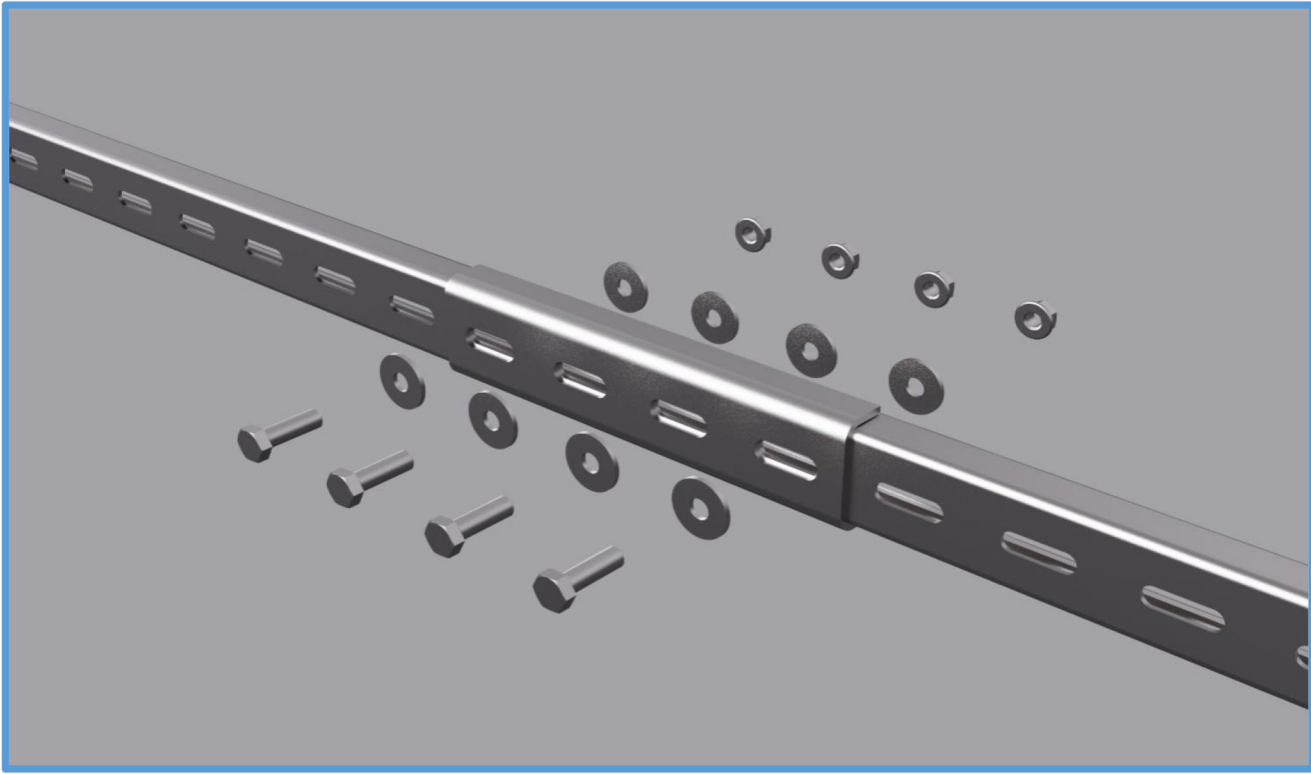


List

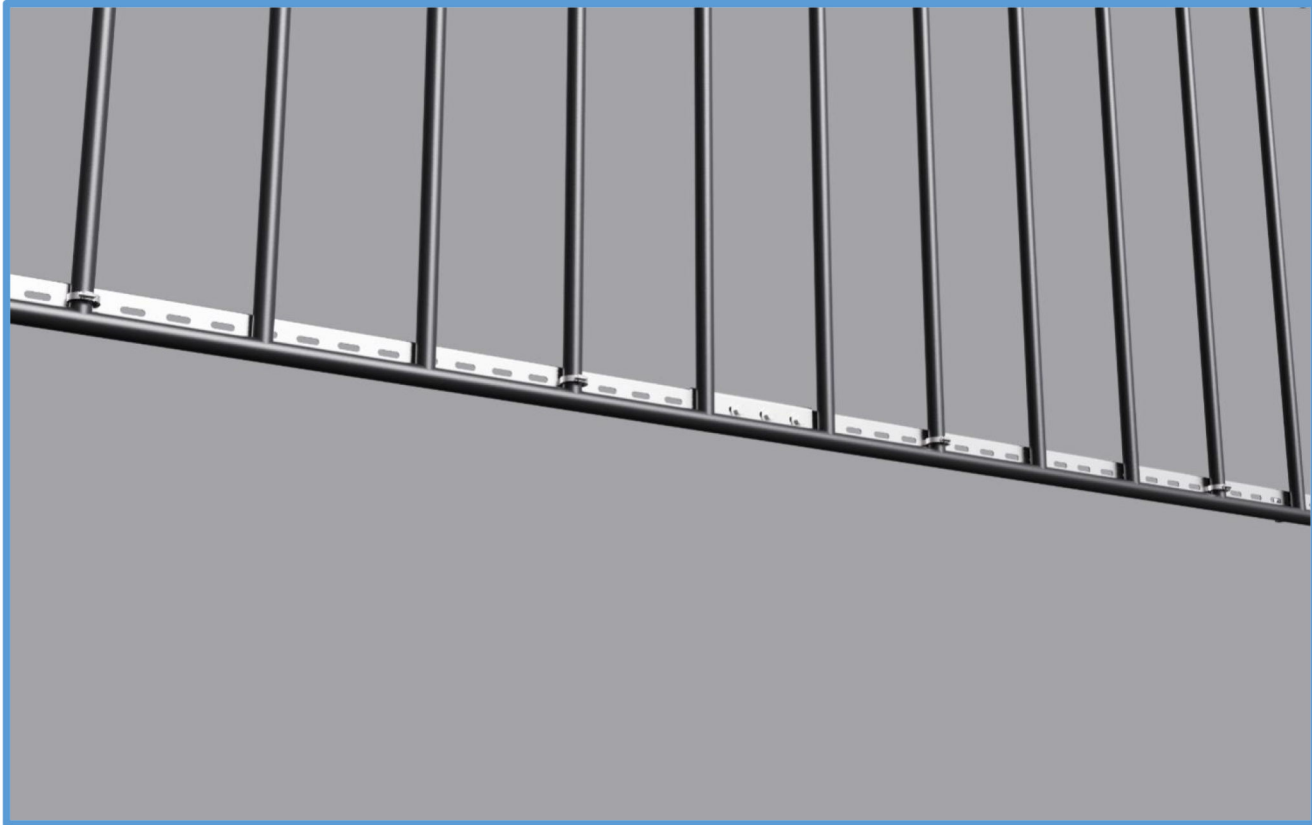
Name	Steel rail	J brackets	Hoop	Rail connector
Pic.				
QTY	2	3	4	1
	AZM	SUS304	SUS304	AZM

Name	1x M8*80 bolt 1x Spring washer 2x big flat washer 1x Lock nut	1x M8*25 bolt 1x Spring washer 2x Big flat washer 1x Lock nut	solar clamp	EPDM
Pic.				
QTY	3	3	2	3
	SUS304	SUS304	AL6005+ SUS304	EPDM

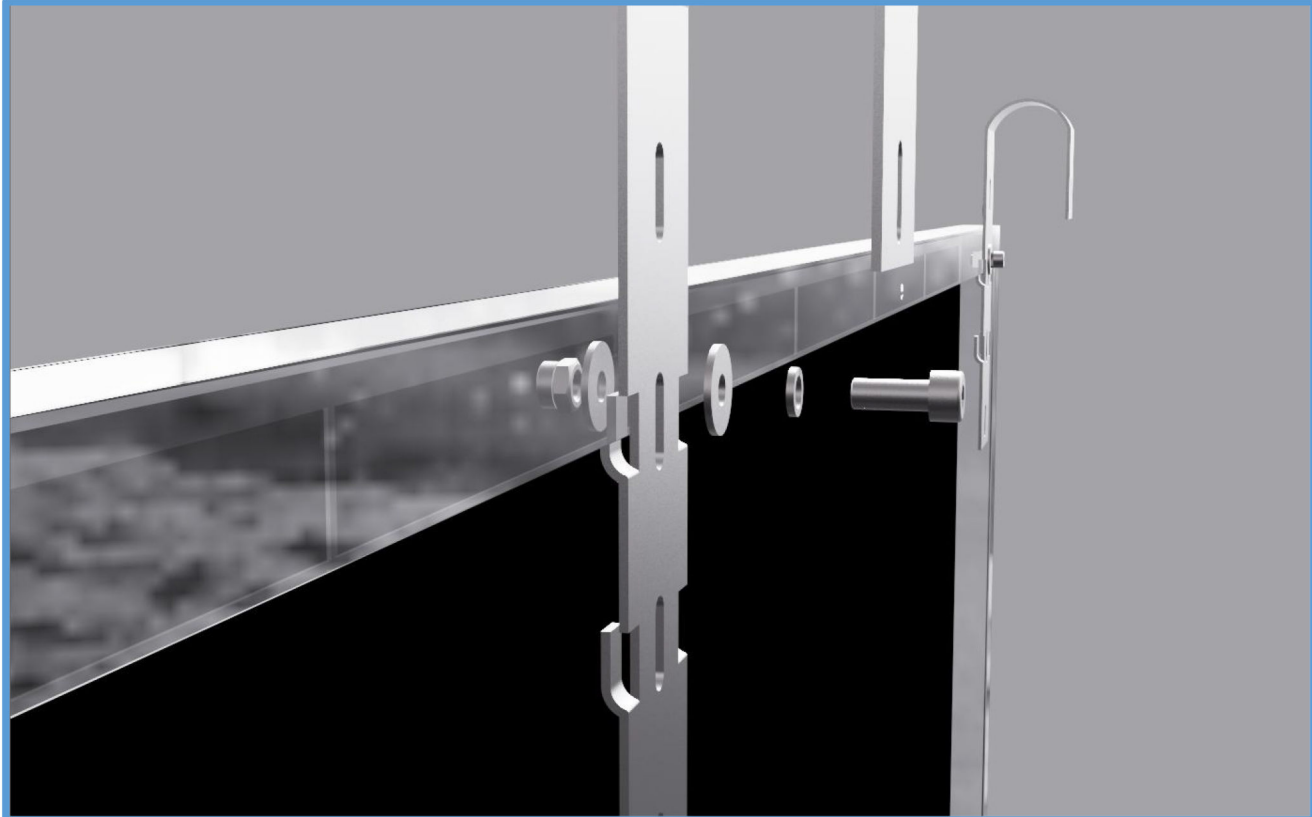
1. Connect two rail with rail connectors.

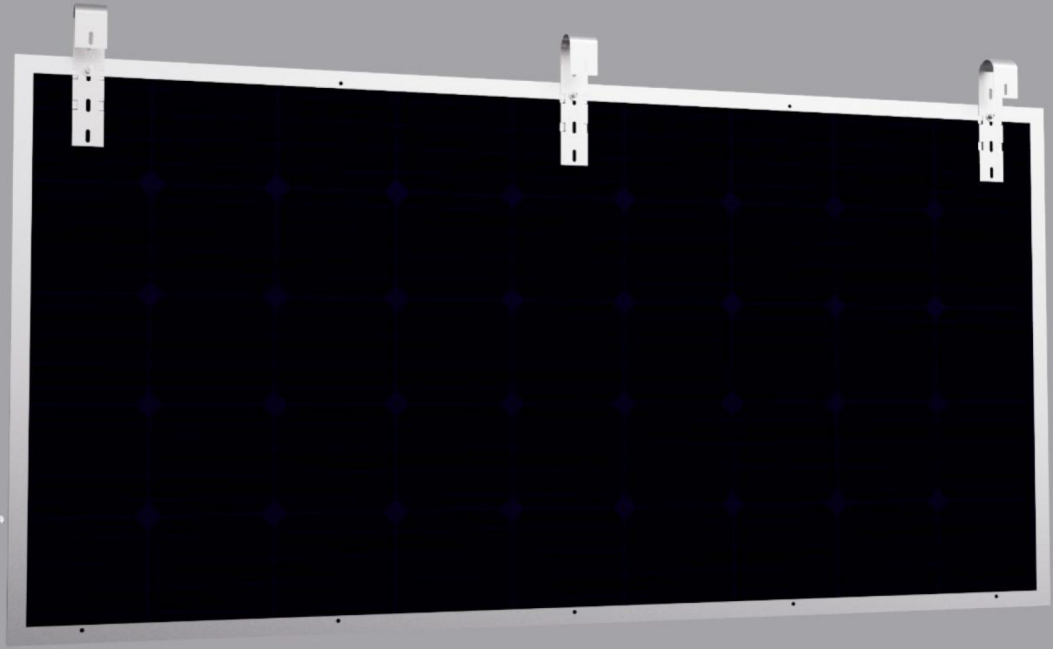


2, Confirmed the position, use hoop to connect the rail and balcony.

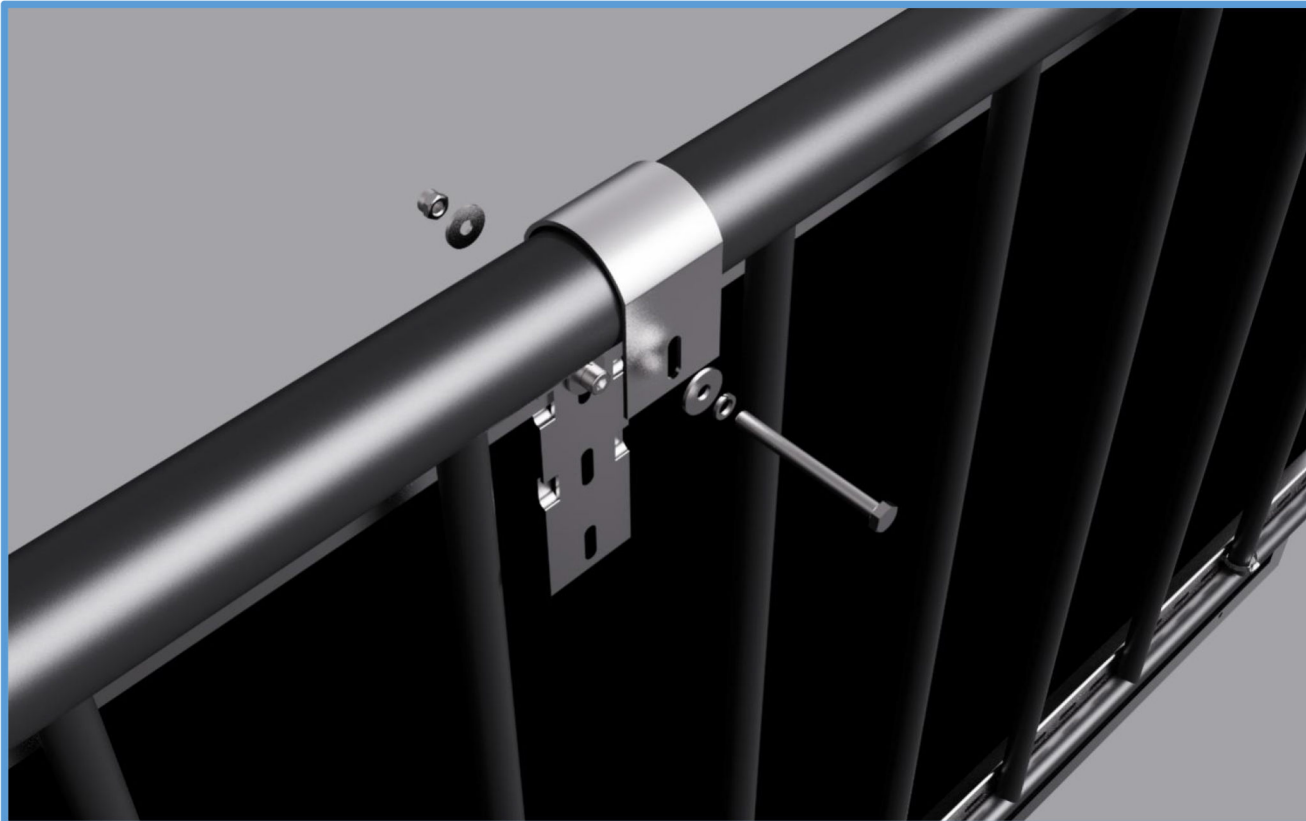


2. Use bolt to connect the J bracket with solar panel, put the EPDM into the J bracket

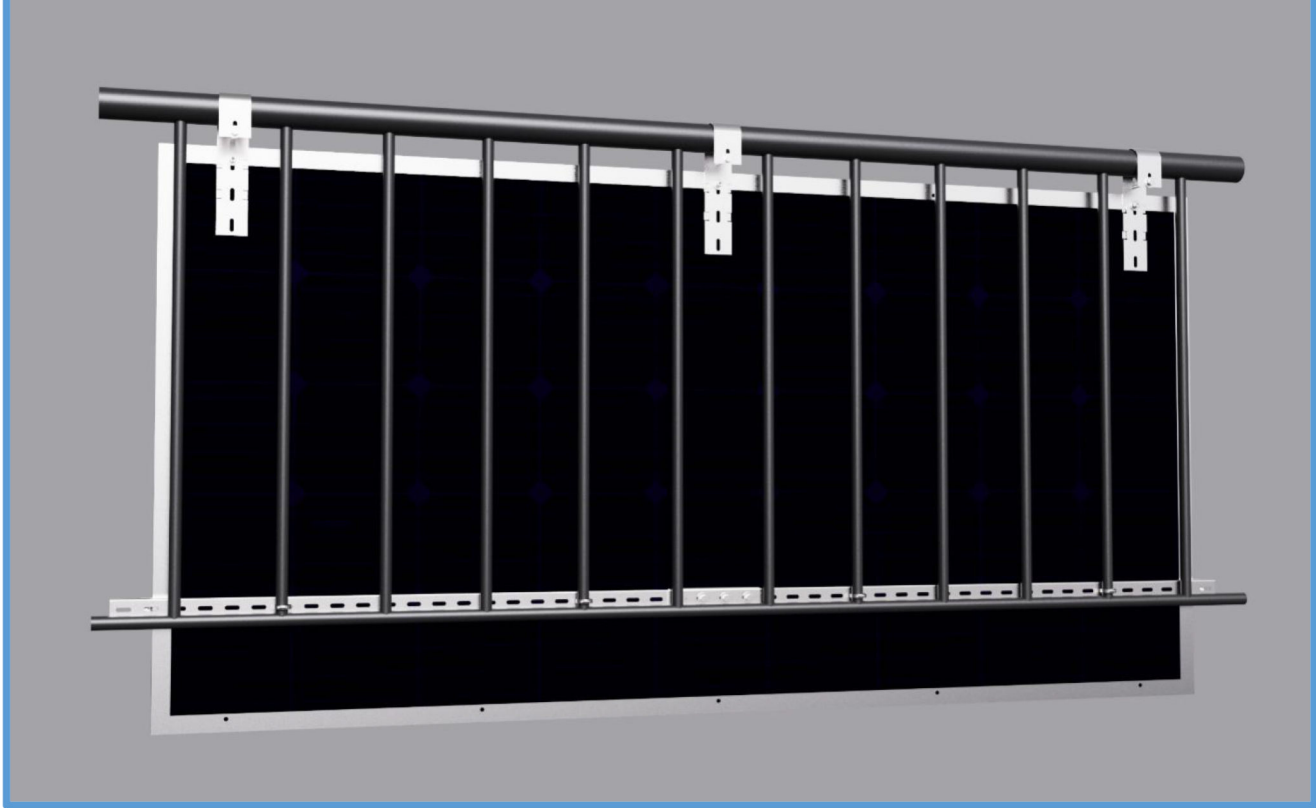




3. Use the bolt to connect the J bracket and balcony.



4.



5. Use solar clamps to connect the steel rail and solar panel.



6.



6. Finised.

